

Camera Dome de interior cu senzor de 2 MP



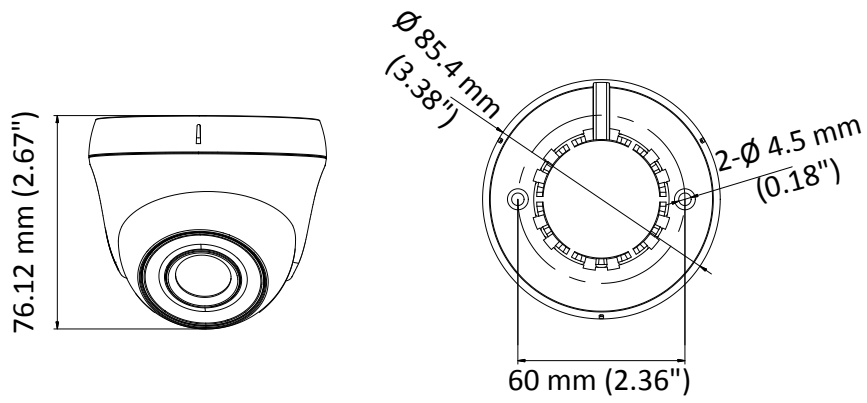
Functii cheie

- 2 MP cu senzor performant CMOS
- rezolutie 1920 × 1080
- lentila fixa de 2.8 mm
- filtru IR cut
- smart IR, pana la 20 m
- camera 4 in 1 (comutabil pe TVI/AHD/CVI/CVBS)
- IP66

Fisa tehnica

| Camera | |
|-------------------------|--|
| Senzor | 2 MP CMOS |
| Semnal | PAL |
| Rezolutie | 1920 (H) × 1080 (V) |
| Iluminare minima | 0.01 Lux@(F1.2, AGC ON), 0 Lux cu IR |
| Shutter | 1/25 (1/30) s to 1/50,000 s |
| Lentila | 2.8 mm |
| Unghi de vizualizare | 103° (2.8 mm) |
| Montura | M12 |
| Zi & Noapte | IR cut filter |
| Ajustare in functie de: | Pan: 0° la 360°, Tilt: 0° la 75°, Rotation: 0° la 360° |
| Sincronizare | Sincronizare interna |
| Cadre pe secunda | 25 FPS @ 1080P |
| Meniu | |
| AGC | Ridicat/Mediu/Sczut/Oprit |
| 3D DNR | Da |
| BLC | Da |
| DWDR | Da |
| Limba | Engleza |
| Functii | Brightness, Sharpness, Mirror, Smart IR |
| AGC | Ridicat/Mediu/Sczut/Oprit |
| Interfata | |
| Iesire Video | 1 output analog HD |
| Comutabil | TVI/AHD/CVI/CVBS |
| General | |
| Temperatura optima | -40 °C to 60 °C (-40 °F to 140 °F), Umiditate: 90%) |
| Alimentare | 12 VDC ±15% |
| Consum | Max. 4 W |
| Index de protectie | IP66 |
| Material | Plastic / Metal |
| Smart IR | Pana la 20 m |
| Dimensiuni | Ø 85.4 mm × 76.12 mm (Ø 3.38" × 2.67") |
| Greutate | 190 g (0.42 lb.) |

Dimensiuni



Accesorii compatibile



HIA-B401-110T
Wall Mounting Bracket



HIA-B301
Vertical Pole Mounting Bracket



HIA-B201
Corner Mounting Bracket



HIA-J101
Junction Box