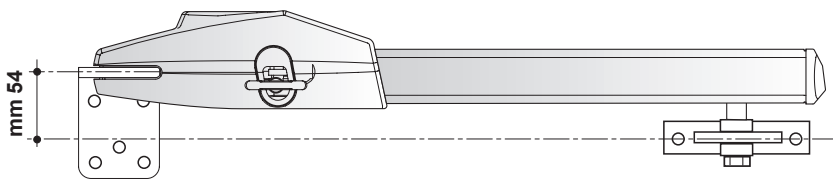
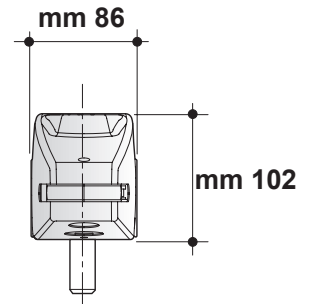
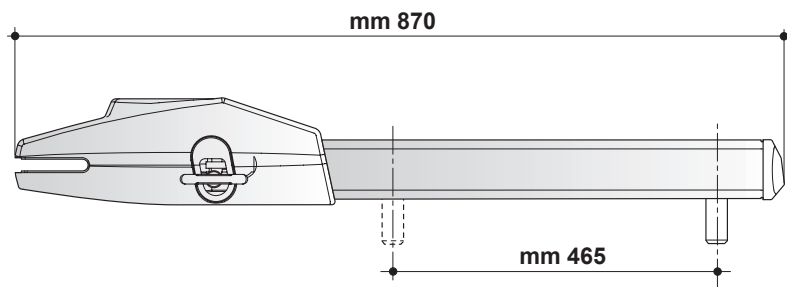


# - Technical Data **XL** -



## Usage Limits

Max. door width (m)	3,00
Max. door weight (Kg)	250

## Installation quotes

Opening	A max	B max	D
90°	150	210	760
115°	190	140	770

